

Part number

# MHP 06 LS20



## Brief description:

surface mounting housings with single lever, size "44.27", metal cover, M20, metal version, IP65

Product description	
Version	metal version
Series	surface mounting housings with single lever
Product type	with 1 lever
Variant	metal cover
Family	CLASS enclosures
Size	size "44.27"
Technical data	
Material	metal
IP degree of protection	IP65
Cable entry	M20
Further technical details	
Weight	257,00 g

Approvals / Standards	
Quality mark	UL (type:4/4X/12), CE, EAC
Conformity	CQC, CE
General ordering information	
EAN13 code	8015747054102
Tariff number	85369095
Packaging Information	
Packaging length	475,00 mm
Packaging height	160,00 mm
Packaging width	140,00 mm
Packaging weight	2,81 kg
Packaging volume	10,64 dm <sup>3</sup>
Packaging description	Carton box
Packaging quantity	10 Pcs
Packaging EAN code	8015747054119
Sub-packaging weight	1,41 kg
Sub-packaging description	Plastic packaging
Sub-packaging quantity	5 Pcs
Sub-packaging EAN barcode	8015747054126

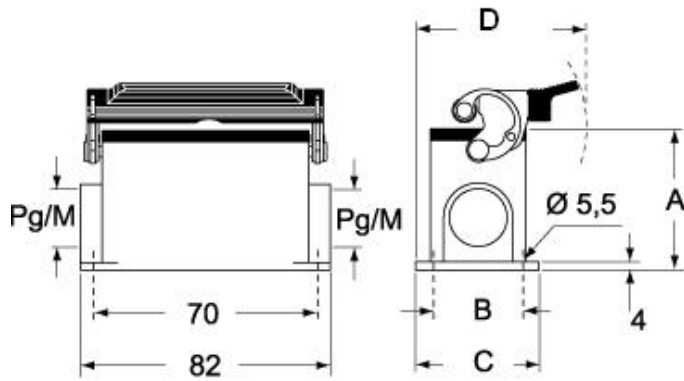
Part number

# MHP 06 LS20



Catalogue drawings

## CHP L CAP L - MHP L MAP L



## CHP LS CAP LS - MHP LS MAP LS

